

## WALL MOUNTED SHELF BRACKET INSTALLATION INSTRUCTIONS

### CONTENTS

- 2 SHELF BRACKETS
- 2 MOUNTING PLATES
- 4 HOLE PLUGS

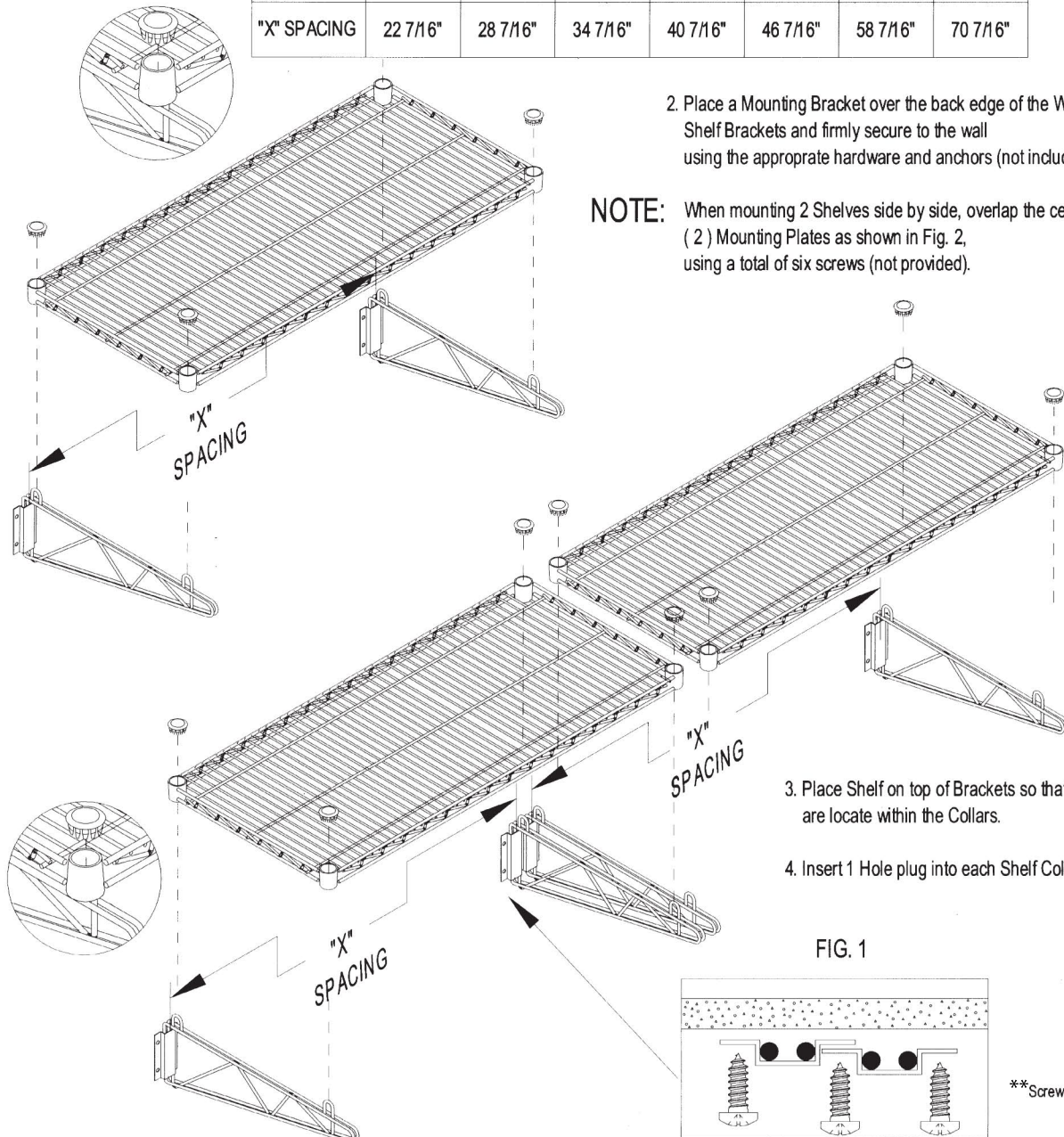
#### CAUTION

It is the responsibility of the user to determine the suitability of the wall mounting surface, and the required hardware to adequately support the loaded shelf.  
Shelving, Inc assumes no liability for damage resulting from the improper mounting for the brackets. Carefully confirm strength of mounting before placing objects on the shelf.

These Shelf Brackets are designed for mounting our Wire Shelves directly to a wall. 2 Shelf Brackets and 2 Mounting Plates are required for every Shelf.

- Determine height and position of the Shelf, and mark location of the mounting Brackets using the chart and diagram below. Make certain that the Brackets are positioned horizontally level when Marking.

SHELF WIDTH	24"	30"	36"	42"	48"	60"	72"
"X" SPACING	22 7/16"	28 7/16"	34 7/16"	40 7/16"	46 7/16"	58 7/16"	70 7/16"



\*\*Screws not supplied