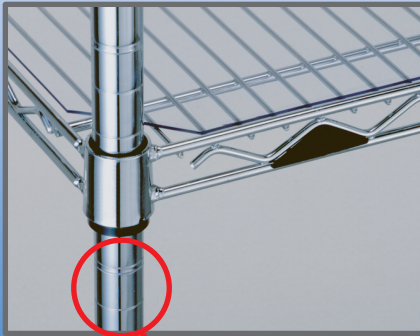
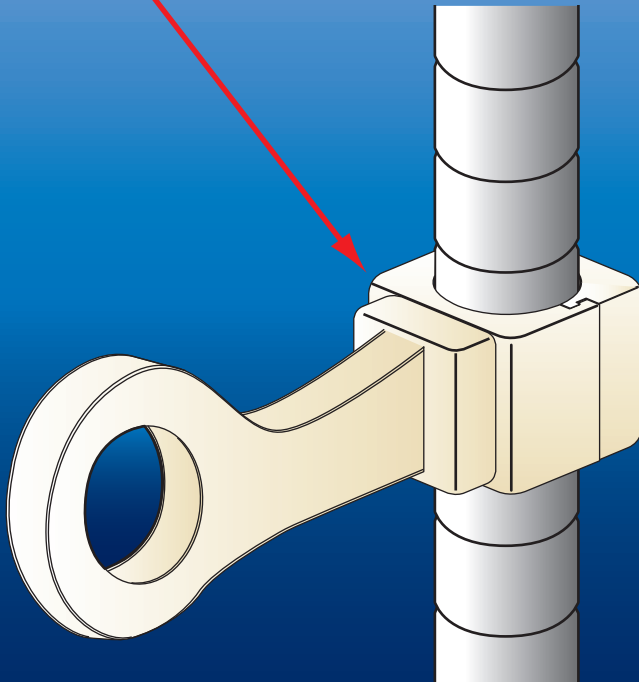




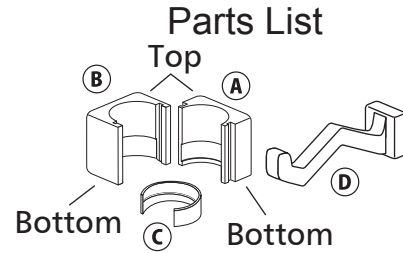
White
1" P-L7509W
Size: 1¼ L x 4¾ W x 1½ H inch



Max Weight Capacity
4.4LBS

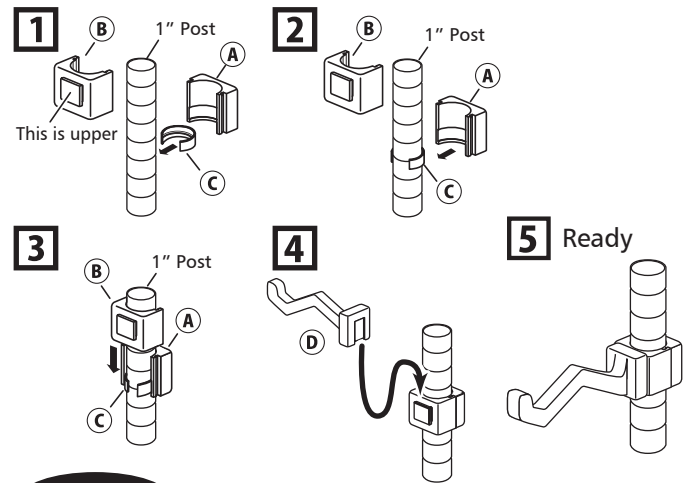


1" Hook L7509W



Assembly Instruction

※ Locate "c", then attach the bottom parts of "A" and "B" to "C".



Notice!

- ◎ Top quality guarantee Any quality concerns, please contact our Customer Service.
- ◎ Disposal treatment abiding by the local regulations.
- ◎ No responsibility to the damage resulting from force majeure and inappropriate repair or alteration.

Importer: **Shelving, Inc.**

Contact Information	
Add:	32 South Squirrel Road Auburn Hills, MI 48326
Website:	www.shelving.com www.theshelvingstore.com
Toll Free:	1800-637-9508
※ Please confirm the Item name and Item No. before calling.	



Material: ABS Resin



MADE IN CHINA

1:1 95*195MM