



PLEASE READ INSTRUCTIONS COMPLETELY BEFORE ASSEMBLY

For assistance or missing parts in the USA please: E-MAIL:
OIA_SERVICE@OIANH.COM

or write to: Customer Service Department, Missing Parts
24 RIVER ROAD, SUITE #201, BOGOTA, NJ 07603, U.S.A.

Please call between 10am to 12pm or 2pm to 4pm
Monday thru Friday Eastern Standard time at (201) 488-0808

All international (outside USA) customers requesting missing parts, defect or damages
must contact the retailer directly to make an exchange or return for credit.

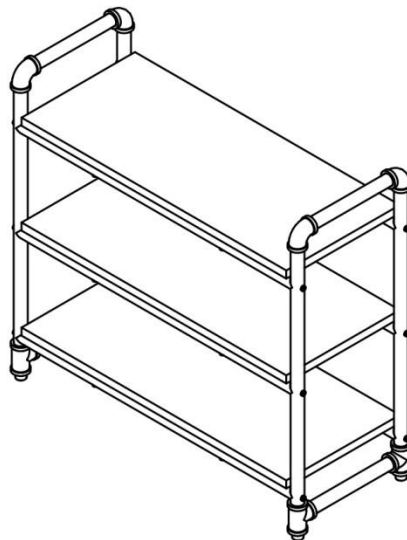
All other customer service product and/or questions may be directed to us.

Style : 84773

#	①	②	③
PARTS			
QTY	2	3	6

#	Ⓐ	Ⓑ	Ⓒ
PARTS			
QTY	24	4	1

Weight Capacity: 150 lbs.



Please Note Parts Request:

We will accept missing parts requests with proof of purchase only, and within 30 days of purchase.

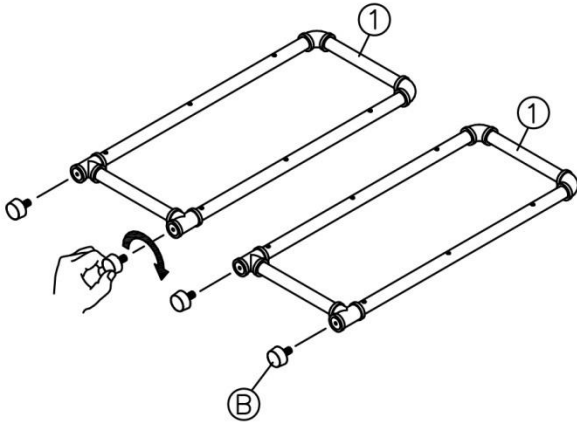
Return merchandise:

All return merchandise must be returned directly to the store not manufacturer with proof of purchase.

ORGANIZE IT ALL, INC.

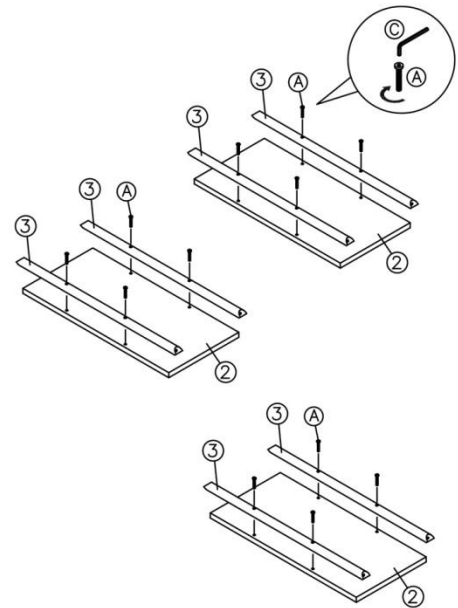
The NEU HOME logo is a registered United States trademark of ORGANIZE IT ALL, INC.

Step 1



Attach Part B onto Part# 1, then turn it clockwise and tighten it sufficiently.

Step 2

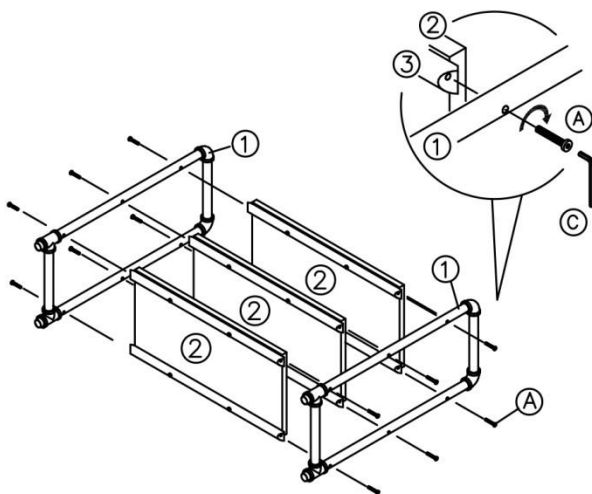


Place Part# 3 on Part# 2 and screw it in. Insert screw (Part A) only halfway in order to leave space for the shelves (Part# 2) to fit on Step 3.

Step 3

Assemble Part# 2 (3) between Part# 1 (2) and screw them in, as shown below.

Note: Tighten all screws at once when all shelves and parts are in place.



Step 4

The assembly is complete.

